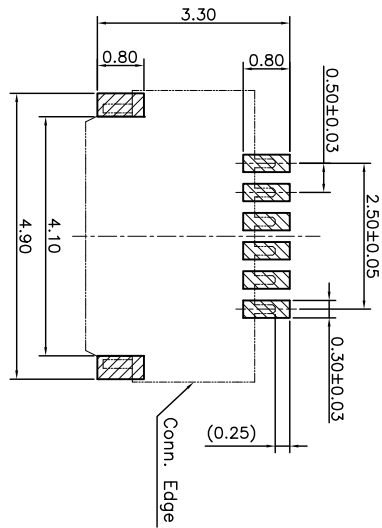
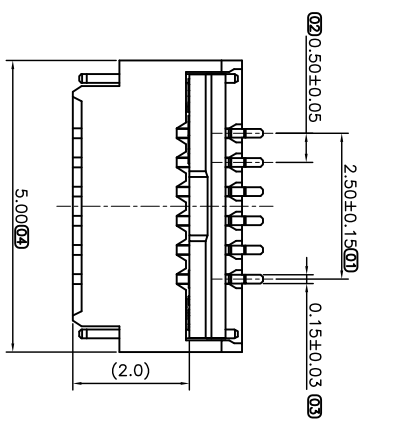
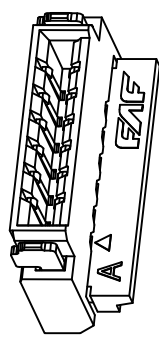


REV	ECN NO	DESCRIPTION	DATE	APPD
X1	ECN1302020	Initial Release	2013.2.22	Ford Liu
X2	ECN1303111	Add Packing Drawing	2013.3.25	Ford Liu



RECOMMENDED PCB LAYOUT
TOLERANCE±0.05

NOTE:

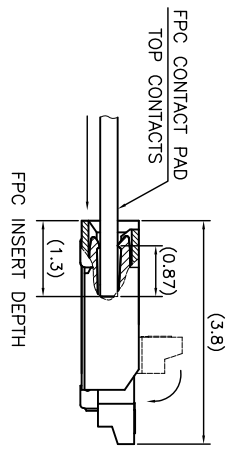
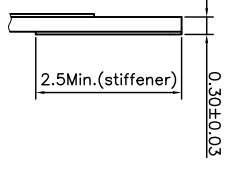
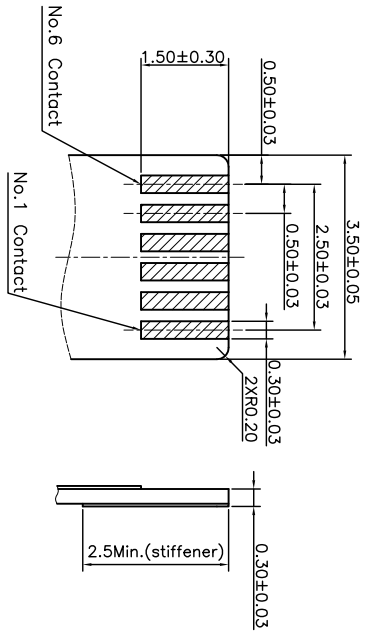
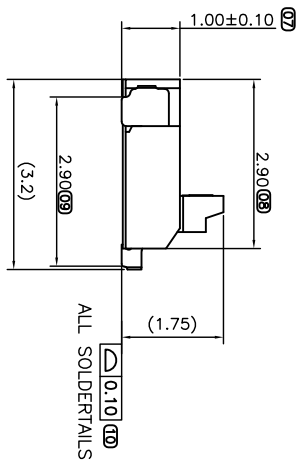
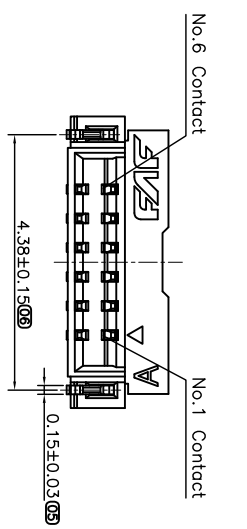
△ MATERIALS:

- 1.1 HOUSING: THERMOPLASTIC, COLOR: BLACK;
- 1.2 ACTUATOR: THERMOPLASTIC, COLOR: BLACK;
- 1.3 TERMINAL: COPPER ALLOY;
- 1.4 TAB: COPPER ALLOY;

- 2. FINISH:
 - 2.1 TERMINAL: GOLD PLATING ON CONTACT AREA AND SOLDERTAILS;
 - 2.2 TAB: NICKEL UNDERPLATING OVER ALL;

- 3. PERFORMANCE:
 - 3.1 CONTACT RESISTANCE: 100mOHM Max.
 - 3.2 DIELECTRIC WITHSTANDING VOLTAGE: 250V AC FOR 1MINUTE;
 - 3.3 INSULATION RESISTANCE: 500MOHM Min.
 - 3.4 DURABILITY: 20 CYCLES.

- 4. THE PRODUCT IS COMPLIANCE WITH FAF ENVIRONMENT PROCEDURE REQUIREMENT.



RECOMMENDED FPC DIMENSION

ITEM	DESCRIPTION	Q'TY	MATERIAL	REMARK
4	TAB	2	COPPER ALLOY	NICKEL UNDERPLATED Matte Sn PLATING OVERALL
3	TERMINAL	6	COPPER ALLOY	NICKEL PLATING OVERALL Au PLATING AT CONTACT AREA
2	ACTUATOR	1	THERMOPLASTIC	COLORE: BLACK,
1	HOUSING	1	THERMOPLASTIC	COLORE: BLACK,

EXTEND USE	UNIT	TITLE	DWG NO
FPC SERIES	mm	4.007AO CONN.	C-4.007AO
0.5P 1.0H BACK-FLIP FPC	mm	Customer Drawing	

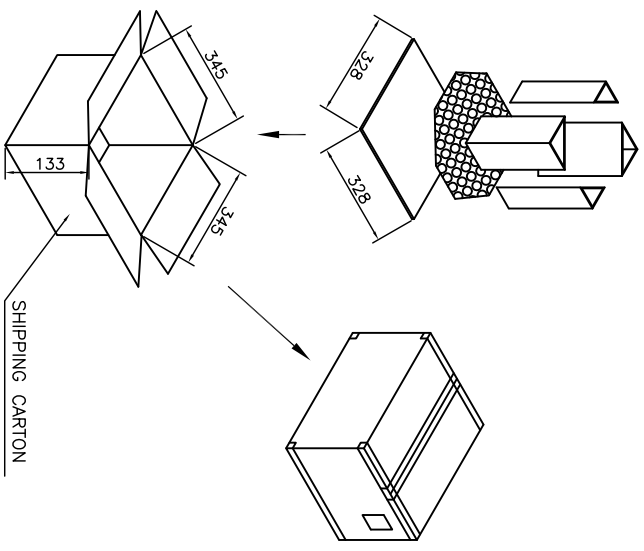
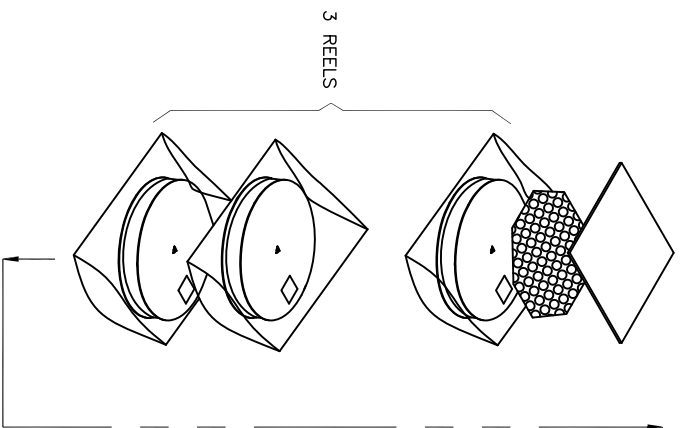
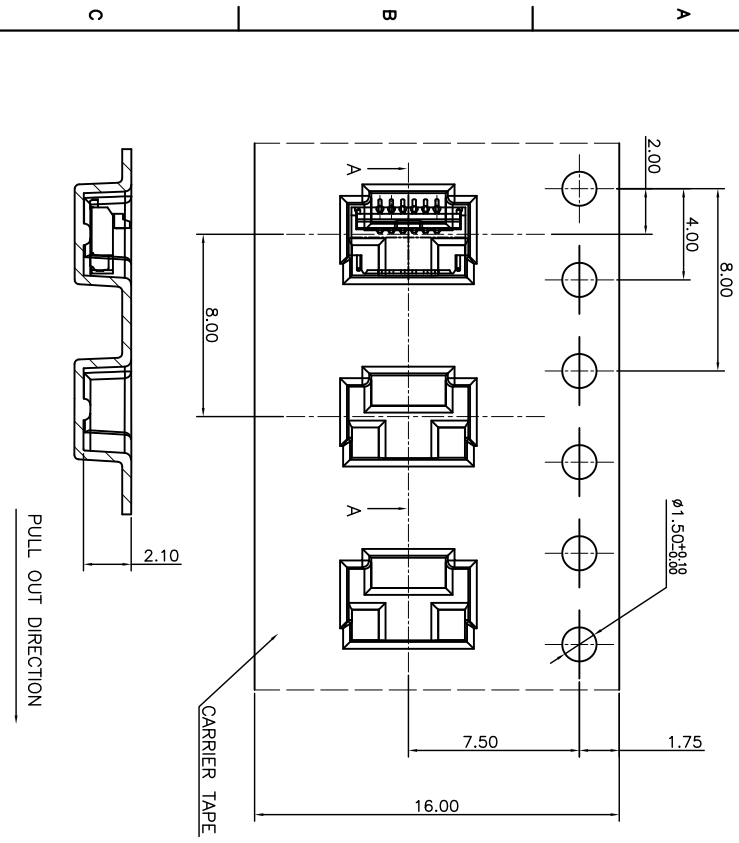
GENERAL TOLERANCE	ANGLES	QTY	APPD	FINISHED	DRN	SHEET	SCALE	REV
±0.30	±3°		Ford Liu		Frank Sun	1/2	1:1	X2
±0.25	±2°		Eric Zheng					
±0.20	±1°							
±0.10								



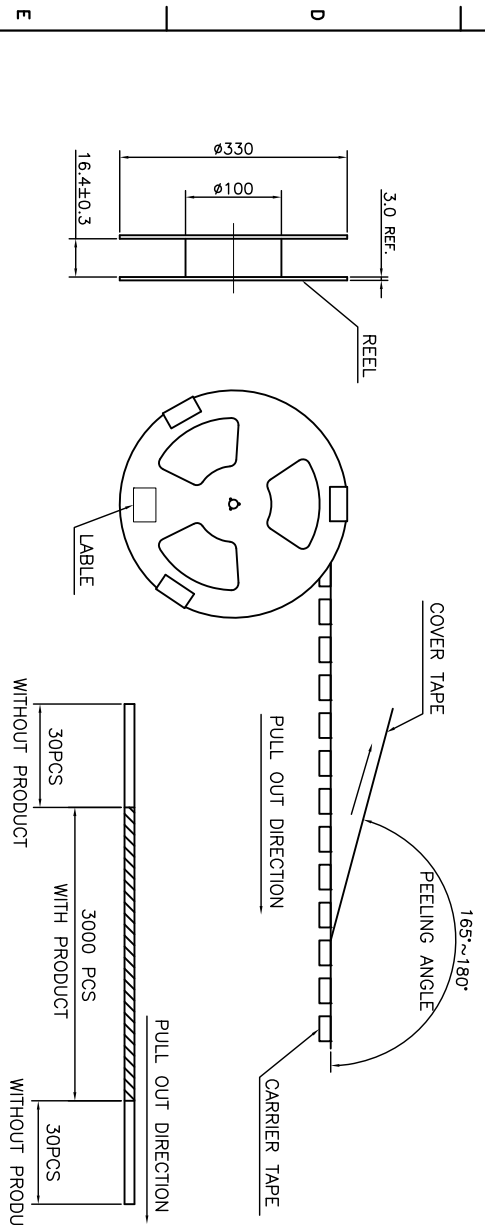
A3

1 2 3 4 5 6 7 8

SEE SHEET 1/2



Pin No.	6	4.007A0-006-1R0	3,000 PCS	9,000 PCS
		P/N	Q'TY/REEL	Q'TY/CARTON



EXTEND USE	FPC SERIES	UNIT	TITLE	DWG NO
0.5P	1.0H BACK-FLIP FPC	mm	4.007A0 CONN. Customer Drawing	C-4.007A0
GENERAL TOLERANCE	ANGLES	MATERIAL	APPD	P/N:
±0.30	±3°		Ford Liu	4.007A0-006-1R0
±0.25	±2°	QTY	Eric Zheng	SHEET SCALE
±0.20	±1°	FINISHED	Frank Sun	2/2 1:1
±0.10				REV X2



1 2 3 4 5 6 7 8